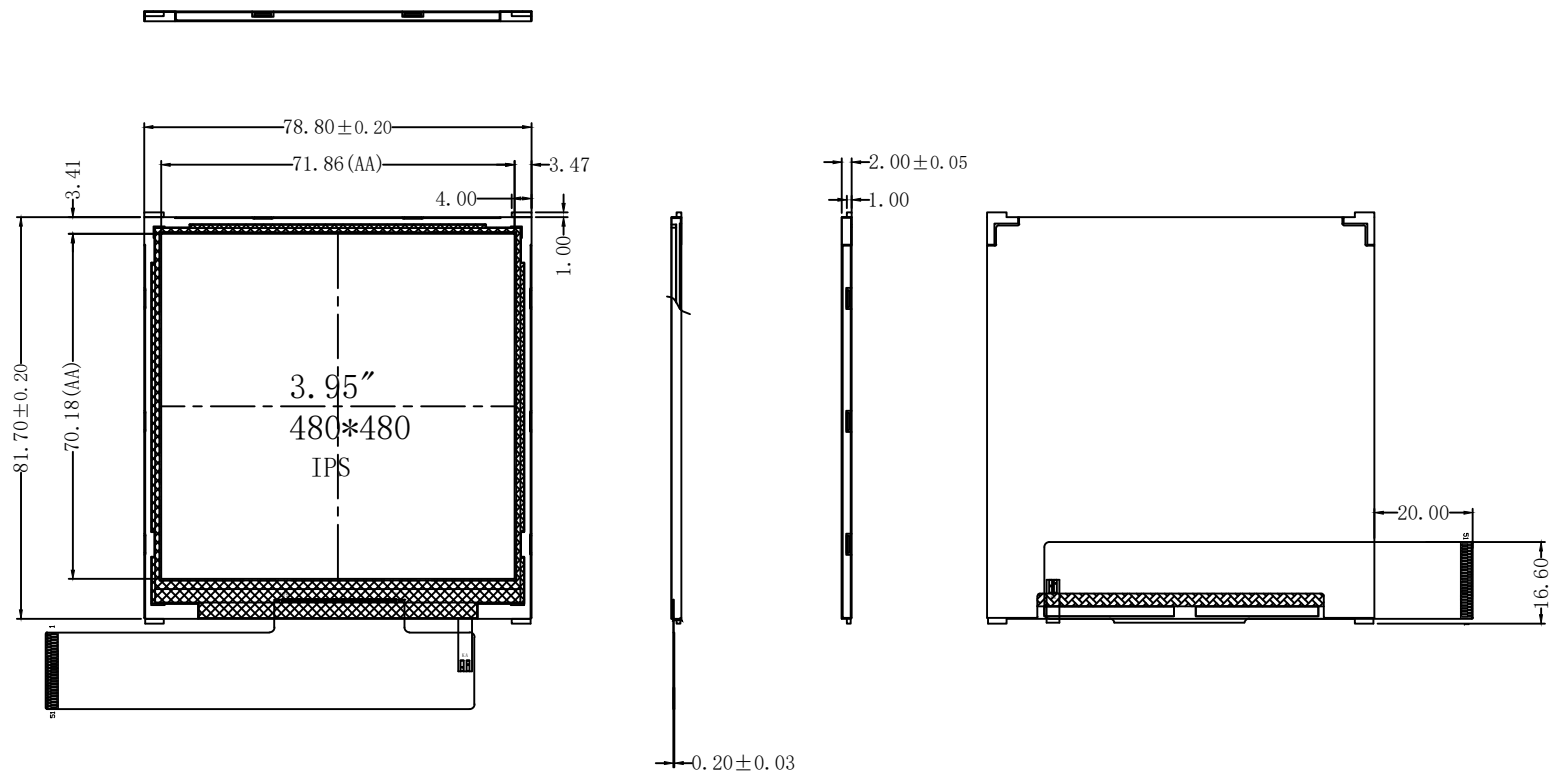
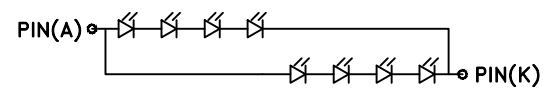


REV	Revision content description	Date
01	FIRST ISSUE	2019.11.12




NO.	SYMBOL
1	GND
2	GND
3	NC
4	LEDA
5	LEDA
6	NC
7	VCC
8	IOVCC
9	NC
10	GND
11	VSYNC
12	HSYNC
13	PCLK
14	DE
15	GND
16	LCD_B0
17	LCD_B1
18	LCD_B2
19	LCD_B3
20	LCD_B4
21	LCD_B5
22	LCD_B6
23	LCD_B7
24	LCD_G0
25	LCD_G1
26	LCD_G2
27	LCD_G3
28	LCD_G4
29	LCD_G5
30	LCD_G6
31	LCD_G7
32	LCD_R0
33	LCD_R1
34	LCD_R2
35	LCD_R3
36	LCD_R4
37	LCD_R5
38	LCD_R6
39	LCD_R7
40	GND
41	RESET
42	CS
43	SCL
44	SDB
45	SDB
46	NC
47	GND
48	NC
49	GND
50	NC
51	GND



- NOTE :
- |                      |                   |
|----------------------|-------------------|
| 1. LCD TYPE:         | 3.95" TFT         |
| 2. LCD IC:           | ST7701S           |
| 3. BACKLIGHT:        | 8 CHIPS WHITE LED |
| 4. OPERATON TEMP:    | -20°C ~70°C       |
| 5. STORAGE TEMP:     | -30°C ~80°C       |
| 6. GENERA TOLERANCE: | ±0.2              |
| 7. Connector:        | FH23-51S-0.3SHW   |

LED CIRCUIT DIAGRAM  
 IF=40MA; VF=12.8V(TYPE)  
 Brightness: 300 cd/m2

 LCD WORLD LIMITED			
TOLERANCE(公差)		Mod.Name	
TOLERANCE UNLESS OTHERWISE SPECIFIED X.X±0.3 X.XX±0.2		LW040U2FRN1-01	
UNIT	DESIGNED(structure)	DESIGNED(electron)	APPROVED
mm	TONY		
			DRAWING NAME
			ASSEMBLY