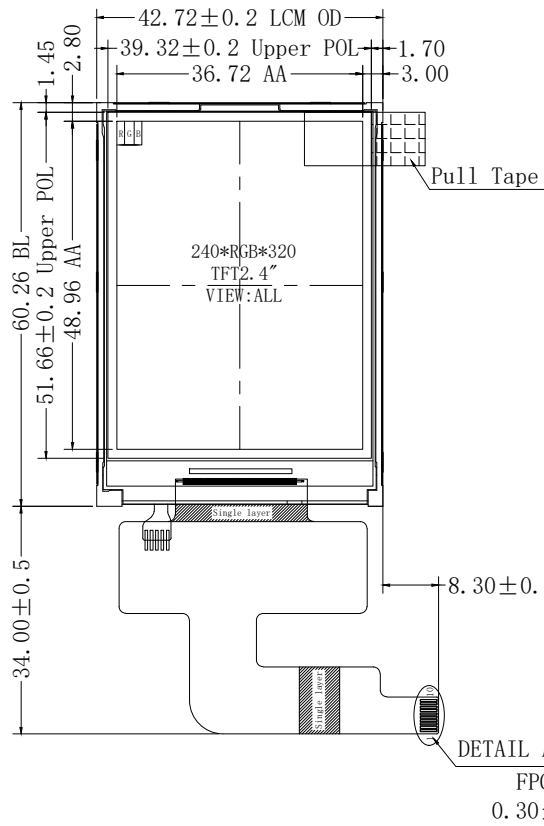
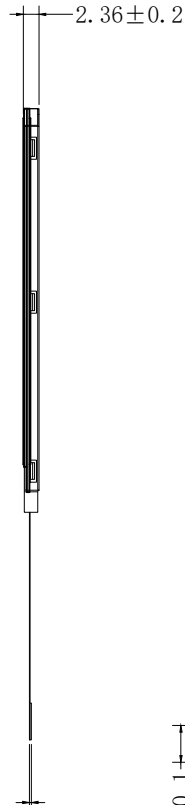


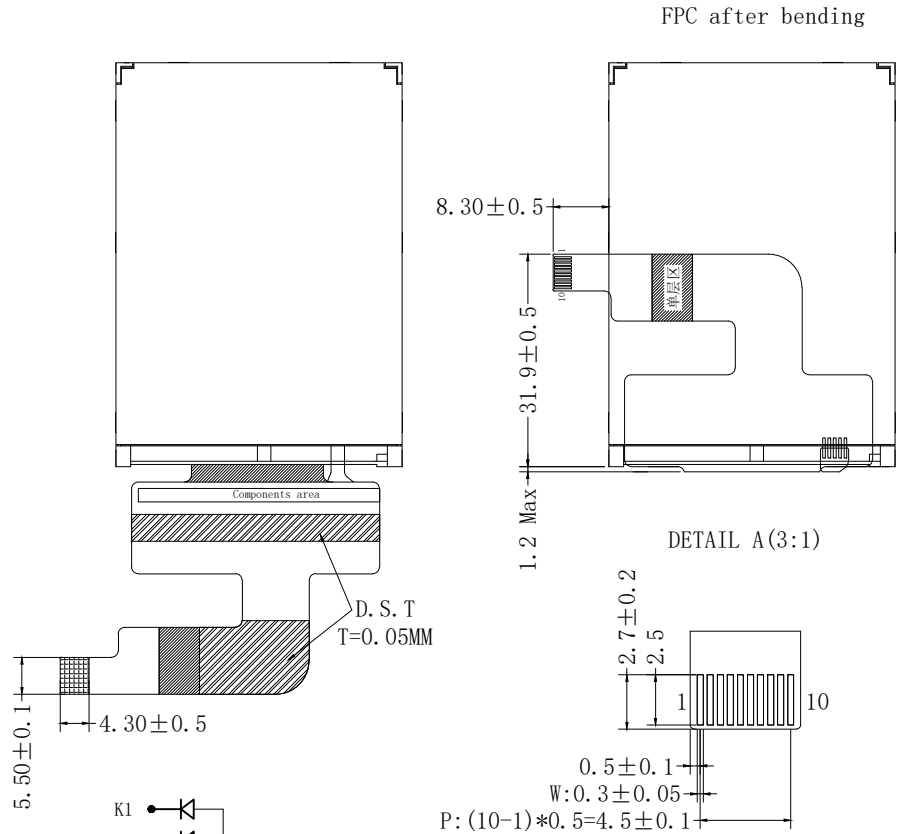
FRONT VIEW



SIDE VIEW

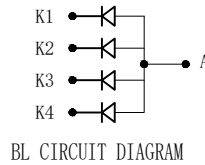


REAR VIEW



PIN No.	
1	RESET
2	SDO
3	SDI
4	SCL
5	RS
6	CS
7	GND
8	VCC
9	LEDA
10	LEDK

Display Type	IPS/NORMAL BLACK/Transmissive
Display Resolution	240*(RGB)*320
Viewing Driection	FULL
LCD Controller/Driver	ILI9341V
Logic Voltage	3.3V
Operation Temperature	-20°C TO 70°C
Storage Temperature	-30°C TO 80°C
Backlight	White LED Backlight(4PCS-WHITE LED) Vf = 3.0V~3.2V, If =80mA Brightness = 550cd/m2(Typ)
Remark	



REV	Revision content description	Date
01	FIRST ISSUE	2021.11.24

TOLERANCE(公差)		Mod.Name		
TOLERANCE UNLESS OTHERWISE SPECIFIED	X.X±0.3 X.XX±0.2	LW024CFSN1-01		
UNIT	DESIGNED(structure)	DESIGNED(electron)	APPROVED	DRAWING NAME
mm				ASSEMBLE



LCD WORLD LIMITED