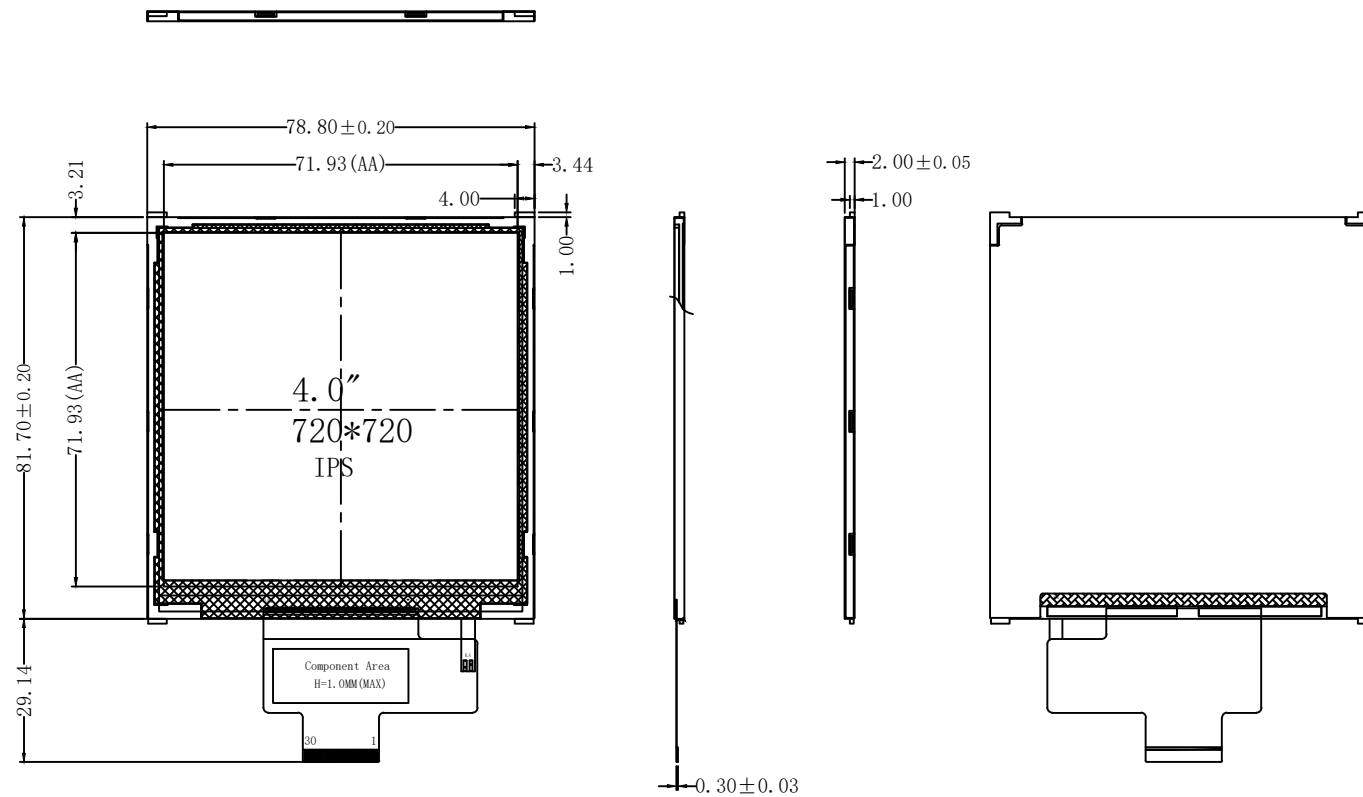
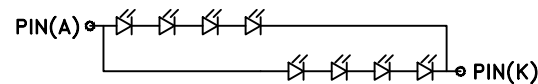


REV	Revision content description	Date
01	FIRST ISSUE	2019.11.12



No	PIN NAME
1	VSN
2	GND
3	VSP
4	NC
5	RST
6	GND
7	D0P
8	D0N
9	GND
10	D1P
11	D1N
12	GND
13	CLKP
14	CLKN
15	GND
16	D2P
17	D2N
18	GND
19	D3P
20	D3N
21	GND
22	GND
23	10VCC
24	GND
25	GND
26	GND
27	GND
28	GND
29	LEDK
30	LEDA




NOTE :

- | | |
|----------------------|-------------------|
| 1. LCD TYPE: | 4" TFT |
| 2. LCD IC: | HX8394F |
| 3. BACKLIGHT: | 8 CHIPS WHITE LED |
| 4. OPERATON TEMP: | -20°C ~70°C |
| 5. STORAGE TEMP: | -30°C ~80°C |
| 6. GENERA TOLERANCE: | ±0.2 |

LED CIRCUIT DIAGRAM

IF=40MA; VF=12.8V (TYPE)
 Brightness: 300 cd/m2

 LCD WORLD LIMITED			
TOLERANCE(公差)		Mod.Name	
<small>TOLERANCE UNLESS OTHERWISE SPECIFIED</small> X.X±0.3 X.XX±0.2		LW040U3FMN1-01	
UNIT	DESIGNED(structure)	DESIGNED(electron)	APPROVED
mm	TONY		
			DRAWING NAME
			ASSEMBLY